

**TABLE OF CONTENTS**

SAFETY / GENERAL INSTRUCTIONS

INTRODUCTION

Features

Specifications

OVERVIEW

Rear view

DIMENSIONS

CONTROL MENU OVERVIEW

Control Panel

Function Menu

DMX FUNCTION CHART

3-channel mode

OPERATION

DMX mode

Stand-alone mode - Color Wheel

Stand-alone mode - Wave Effect Wheel

Stand-alone mode - Dimmer

INFRARED (IR6) REMOTE CONTROL OPERATION

MASTER/SLAVE OPERATION (via DMX cable)

MAINTENANCE

**PACKING CONTENT**

- RIPPLE

- Power cord

- User manual

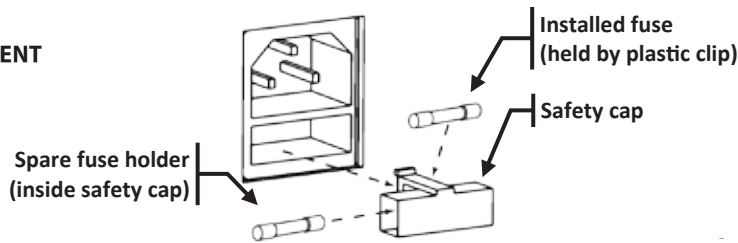
- Warranty Card

## MAINTENANCE

### MAINTENANCE AND CLEANING THE UNIT

- Make sure the area below the installation place is free from unwanted persons during setup.
- Switch off the unit, unplug the main cable and wait until the unit has cooled down.
- All screws used for installing the device and any of its parts should be tightly fastened and should not be corroded.
- Housings, fixations and installation spots (ceiling, trusses, suspensions) should be totally free from any deformation.
- The main cables must be in impeccable condition and should be replaced immediately even when a small problem is detected.
- It is recommended to clean the front at regular intervals, from impurities caused by dust, smoke, or other particles to ensure that the light is radiated at maximum brightness. For cleaning, disconnect the main plug from the socket. Use a soft, clean cloth moistened with a mild detergent. Then carefully wipe the part dry. For cleaning other housing parts use only a soft, clean cloth. Never use a liquid, it might penetrate the unit and cause damage to it.

### FUSE REPLACEMENT



### TROUBLESHOOTING

Problems	Possible causes	Checks and remedies
Fixture does not light up	<ul style="list-style-type: none"> <li>• No mains supply</li> <li>• Dimmer fader set to 0</li> <li>• All color faders set to 0</li> <li>• Faulty LED</li> <li>• Faulty LED board</li> </ul>	<ul style="list-style-type: none"> <li>• Check the power supply voltage</li> <li>• Increase the value of the dimmer channels</li> <li>• Increase the value of the color channels</li> <li>• Replace the LED board</li> <li>• Replace the LED board</li> </ul>
General low light intensity	<ul style="list-style-type: none"> <li>• Dirty lens assembly</li> <li>• Misaligned lens assembly</li> </ul>	<ul style="list-style-type: none"> <li>• Clean the fixture regularly</li> <li>• Install lens assembly properly</li> </ul>
Fixture does not power up	<ul style="list-style-type: none"> <li>• No power</li> <li>• Loose or damaged power cord</li> <li>• Faulty internal power supply</li> </ul>	<ul style="list-style-type: none"> <li>• Check for power on power outlet</li> <li>• Check power cord</li> <li>• Replace internal power supply</li> </ul>
Fixture does not respond to DMX	<ul style="list-style-type: none"> <li>• Wrong DMX addressing</li> <li>• Damaged DMX cables</li> <li>• Bouncing signals</li> </ul>	<ul style="list-style-type: none"> <li>• Check control panel and unit addressing</li> <li>• Check DMX cables</li> <li>• Install terminator as suggested</li> </ul>

Contact an authorized service center in case of technical problems or not reported in the table can not be resolved by the procedure given in the table.




**WARNING!** Before carrying out any operations with the unit, carefully read this instruction manual and keep it with care for future reference. It contains important information about the installation, usage and maintenance of the unit.



## SAFETY

### General instruction

- The products referred to in this manual conform to the European Community Directives and are therefore marked with CE.
- The unit is supplied with hazardous network voltage (230V~). Leave servicing to skilled personnel only. Never make any modifications on the unit not described in this instruction manual, otherwise you will risk an electric shock.
- Connection must be made to a power supply system fitted with efficient earthing (Class I appliance according to standard EN 60598-1). It is, moreover, recommended to protect the supply lines of the units from indirect contact and/or shorting to earth by using appropriately sized residual current devices.
- The connection to the main network of electric distribution must be carried out by a qualified electrical installer. Check that the main frequency and voltage correspond to those for which the unit is designed as given on the electrical data label.
- This unit is not for home use, only professional applications.
- Never use the fixture under the following conditions:
  - in places subject to vibrations or bumps;
  - in places with a temperature of over 45°C.
- Make certain that no inflammable liquids, water or metal objects enter the fixture.
- Do not dismantle or modify the fixture.
- All work must always be carried out by qualified technical personnel. Contact the nearest sales point for an inspection or contact the manufacturer directly.
- If the unit is to be put out of operation definitively, take it to a local recycling plant for a disposal which is not harmful to the environment. 

### Warnings and installation precautions

- This equipment is reserved for professional use. It is not intended for domestic use.
- The unit for indoor use only. To prevent or reduce the risk of electrical shock or fire, do not expose the unit to rain or moisture.
- If this device will be operated in any way different to the one described in this manual, it may suffer damage and the guarantee becomes void. Furthermore, any other operation may lead to dangers like short circuit, burns, electric shock, etc.
- Always inspect the mechanical and electrical parts of RIPPLE equipment before fitting to check they are not damaged. Do not operate the product if you see damage. If the part is damaged, it has to be replaced by a qualified technician.
- Don't connect the device to a dimmer pack.
- Before starting any maintenance work or cleaning the fixture, cut off power from the main supply.
- Never attach to product other equipment different RIPPLE accessories.
- Never let the power-cord come into contact with other cables! Handle the power-cord and all connections with the mains with particular caution!
- Never remove warning or informative labels from the unit.
- Do not shake the device. Avoid brute force when installing or operating the device.
- Make sure that the device is not exposed to extreme heat, moisture or dust.
- Keep any inflammable material at a safe distance from the fixture.
- Make sure that the power-cord is never crimped or damaged. Check the device and the power cord from time to time. If the external cable is damaged, it has to be replaced by a qualified technician.

## INTRODUCTION

RIPPLE is a multicolor LED Water Effect.

### FEATURES

- Compact and powerful 30W LED water effect light
- 60° projection for large coverage
- Dichroic color wheel with 5 indexable colors plus open
- Variable speed control by DMX or manual menu button selection
- Selectable rotating direction (clockwise or counter-clockwise)
- High-frequency LED modulation for flicker-free video playback
- Power In and Out connections for linking multiple units
- Built-in Auto shows and Master/Slave mode
- Various control options including DMX, Manual, Sound-Active, IR
- Infrared sensor for optional IR6 remote control

### SPECIFICATIONS

Light Source:	1 x 30W white LED
Field Angle:	60°
Output:	715 lux @ 2 m
Colors:	5 indexable colors plus open and rainbow scroll
Strobe:	0 - 30 Hz
Dimming:	0-100% dimming
Control modes:	DMX, Auto, Sound-Active, IR (with optional IR6 controller)
DMX Channels:	3
Built-in Programs:	Yes
Menu:	4-digit LED display
Mains:	38W
Power connections:	IEC In/Out
Power linking:	14 units @ 120 V; 27 units @ 230 V
Data connections:	3-pin XLR In/Out for DMX
Housing:	Plastic
Finish:	Matte black
IP rating:	IP20
Cooling:	Active (fan)
Dimensions:	195 x 228 x 245 mm
Weight:	2.7 KG

## MASTER/SLAVE OPERATION (via DMX cable)

When multiple RIPPLE units are used together, Master/Slave mode enables the assignment of one master unit and multiple slave units. The master unit can be operated in stand-alone mode or by IR6 infrared remote control. The slave units should all be set to slave mode.

Note: Slave units should be configured and connected before linking to master unit

Setup as below:

SLAVE UNITS:

Press MENU button until **3-CH** is displayed

Press ENTER

Set DMX address to **d 1**

Connect DMX cable from master unit to DMX In connector

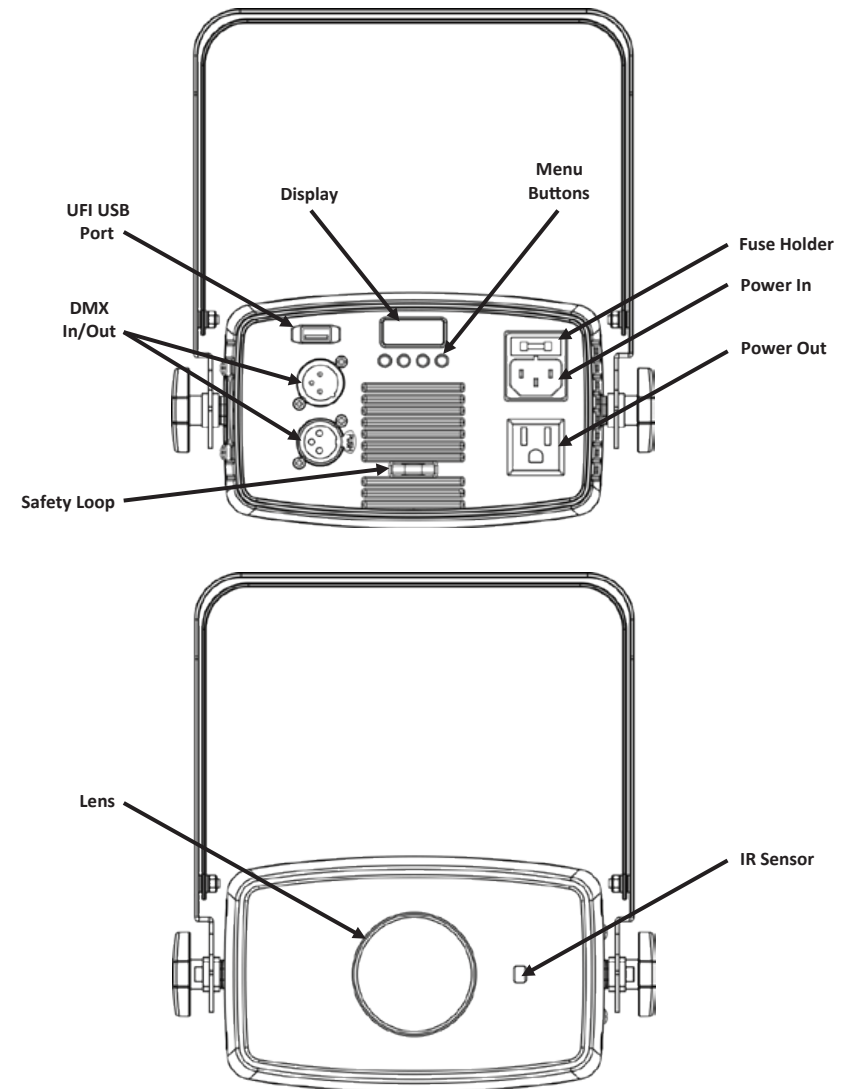
Link following slave units in similar cable configuration

MASTER UNIT:

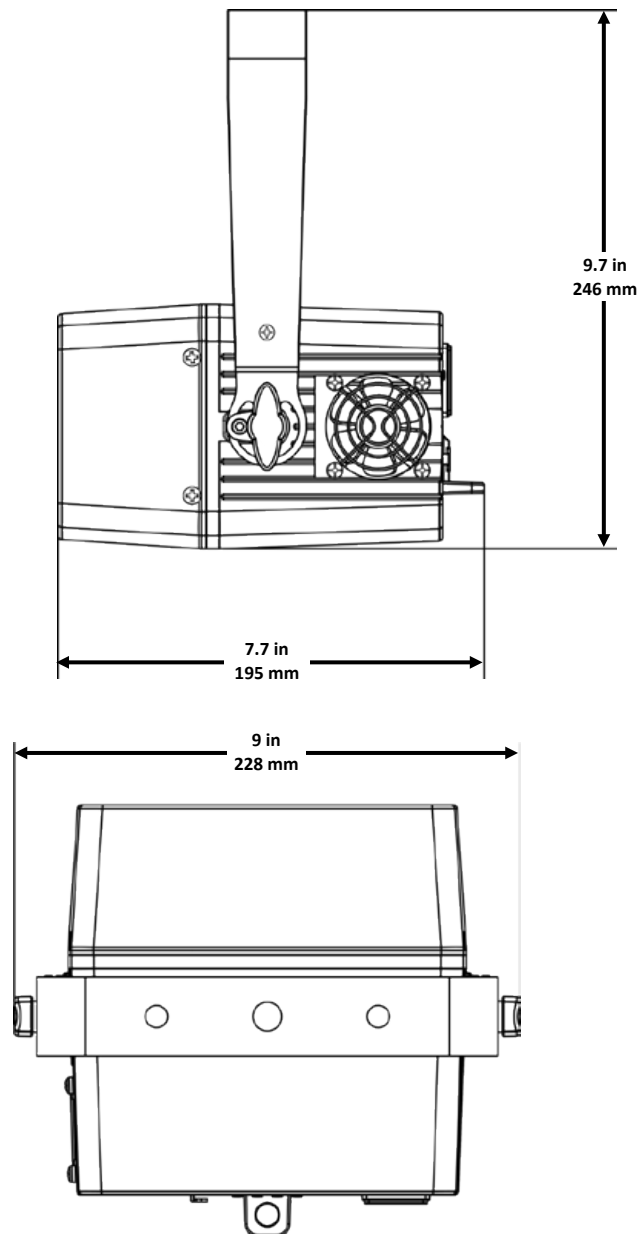
Set master unit to stand-alone mode or operate using IR6 remote control

Link to slave units, beginning from the master DMX Out connector

## OVERVIEW



## DIMENSIONS



## INFRARED (IR6) REMOTE CONTROL OPERATION

The (optional) IR6 infrared controller enables remote control of the RIPPLE.

To pair the IR6 to the RIPPLE, follow these steps:

1. Press MENU button until **SET** is displayed
2. Press ENTER
3. Press UP or DOWN to turn infrared operation ON or OFF
4. Press ENTER

## IR6 BUTTON FUNCTIONS

## COLOR WHEEL

**AUTO** : Press to set rotation direction  
+ / - : Press to choose / change the rotation direction

**SPEED** : Press to set rotation speed  
+ / - : Press to increase / decrease rotation speed

## STATIC COLOR

- 1** : Press to choose **WHITE**  
**2** : Press to choose **PURPLE**  
**3** : Press to choose **YELLOW**  
**4** : Press to choose **BLUE**  
**5** : Press to choose **GREEN**  
**6** : Press to choose **ORANGE**

## WAVE EFFECT WHEEL

**SOUND** : Press to set wheel rotation direction  
+ / - : Press to change rotation direction

**SENSITIVITY** : Press to set wheel rotation speed  
+ / - : Press to increase / decrease rotation speed

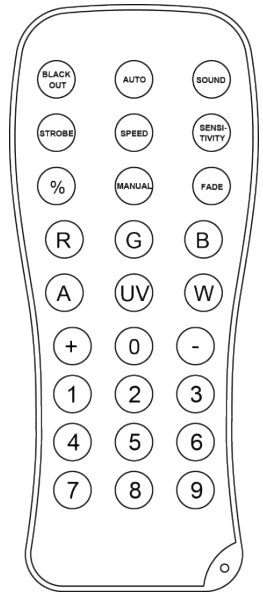
## DIMMER CONTROL

**MANUAL** : Press to set dimmer level  
+ / - : Press to increase / decrease dimmer level

## BLACKOUT

**BLACKOUT** : Press to turn off light output  
**BLACKOUT** : Press again to exit blackout mode

**Note:** : If IR6 remote is not responding, press BLACKOUT to confirm that blackout mode was not mistakenly activated



## OPERATION

### DMX MODE

Press MENU button until **3-CH** is displayed  
 Press ENTER and **d 1-d512** will be displayed  
 Press UP or DOWN to select the starting address  
 Press ENTER

### STAND-ALONE MODE - COLOR WHEEL

Press MENU button until **C--** is displayed  
 Press ENTER  
 Press UP and DOWN to select one of below options:  
 - **C 1** (static white)  
 - **C 1** (static purple)  
 - **C 1** (static yellow)  
 - **C 1** (static blue)  
 - **C 1** (static green)  
 - **C 1** (static orange)  
 - **C L** (left rotation)  
 - **C R** (right rotation)

Press ENTER  
 For **C L** or **C R**, press UP and DOWN to increase or decrease rotation speed  
 Press ENTER

### STAND-ALONE MODE - WAVE EFFECT WHEEL

Press MENU until **Wave** is displayed.  
 Press ENTER  
 Press UP and DOWN to select below options:  
 - **Stop** (no rotation)  
 - **W--L** (left rotation)  
 - **W--R** (right rotation)  
 Press ENTER  
 Press UP or DOWN to increase or decrease rotation speed  
 Press ENTER

### STAND-ALONE MODE - DIMMER

Press MENU until **U--** is displayed.  
 Press ENTER and **Uxxx** will be displayed  
 Press UP and DOWN to increase or decrease dimmer setting  
 Press ENTER

### TEMPERATURE

Press MENU button until **teMP** is displayed  
 Press ENTER

## CONTROL MENU OVERVIEW

### CONTROL PANEL

BUTTON	FUNCTION
<b>Menu</b>	Selects operating mode or exits submenus
<b>Up</b>	Scrolls up through option lists or selects higher value
<b>Down</b>	Scrolls down through option lists or selects lower value
<b>Enter</b>	Activates displayed menu option or selected value

### FUNCTION MENU

MODE	OPTIONS / VALUES	DESCRIPTION
<b>3-CH</b>	<b>d 1-d512</b>	3-channel DMX mode
<b>C--</b>	<b>C 1</b>	White Static Color
	<b>C 2</b>	Purple Static Color
	<b>C 3</b>	Yellow Static Color
	<b>C 4</b>	Blue Static Color
	<b>C 5</b>	Green Static Color
	<b>C 6</b>	Orange Static Color
	<b>C L</b> <b>L 0-L100</b>	Left Color Wheel Rotation (slow to fast)
	<b>C r</b> <b>r 0-r100</b>	Right Color Wheel Rotation (slow to fast)
<b>Wave</b>	<b>Stop</b>	Stop Wave Effect Rotation
	<b>W--L</b> <b>L 0-L100</b>	Left Wave Effect Rotation (slow to fast)
	<b>W--r</b> <b>r 0-r100</b>	Right Wave Effect Rotation (slow to fast)
<b>U--</b>	<b>U 0-U255</b>	Dimmer
<b>SET</b>	<b>On</b>	IR function on or off
	<b>OFF</b>	
<b>teMP</b>	<b>--</b>	Displays the product's current temperature

**DMX FUNCTION CHART**

<b>1</b>	<b>Dimmer</b>	000 ⇔ 255	0–100%
<b>2</b>	<b>Color Wheel</b>	000 ⇔ 021	White
		022 ⇔ 042	Purple
		043 ⇔ 063	Yellow
		064 ⇔ 084	Blue
		085 ⇔ 105	Green
		106 ⇔ 127	Orange
		128 ⇔ 188	Left rotation (fast to slow)
		189 ⇔ 194	Stop
		195 ⇔ 255	Right rotation (slow to fast)
<b>3</b>	<b>Wave Effect Wheel</b>	000	Stop
		001 ⇔ 122	Left rotation (slow to fast)
		123 ⇔ 133	Stop
		134 ⇔ 255	Right rotation (fast to slow)